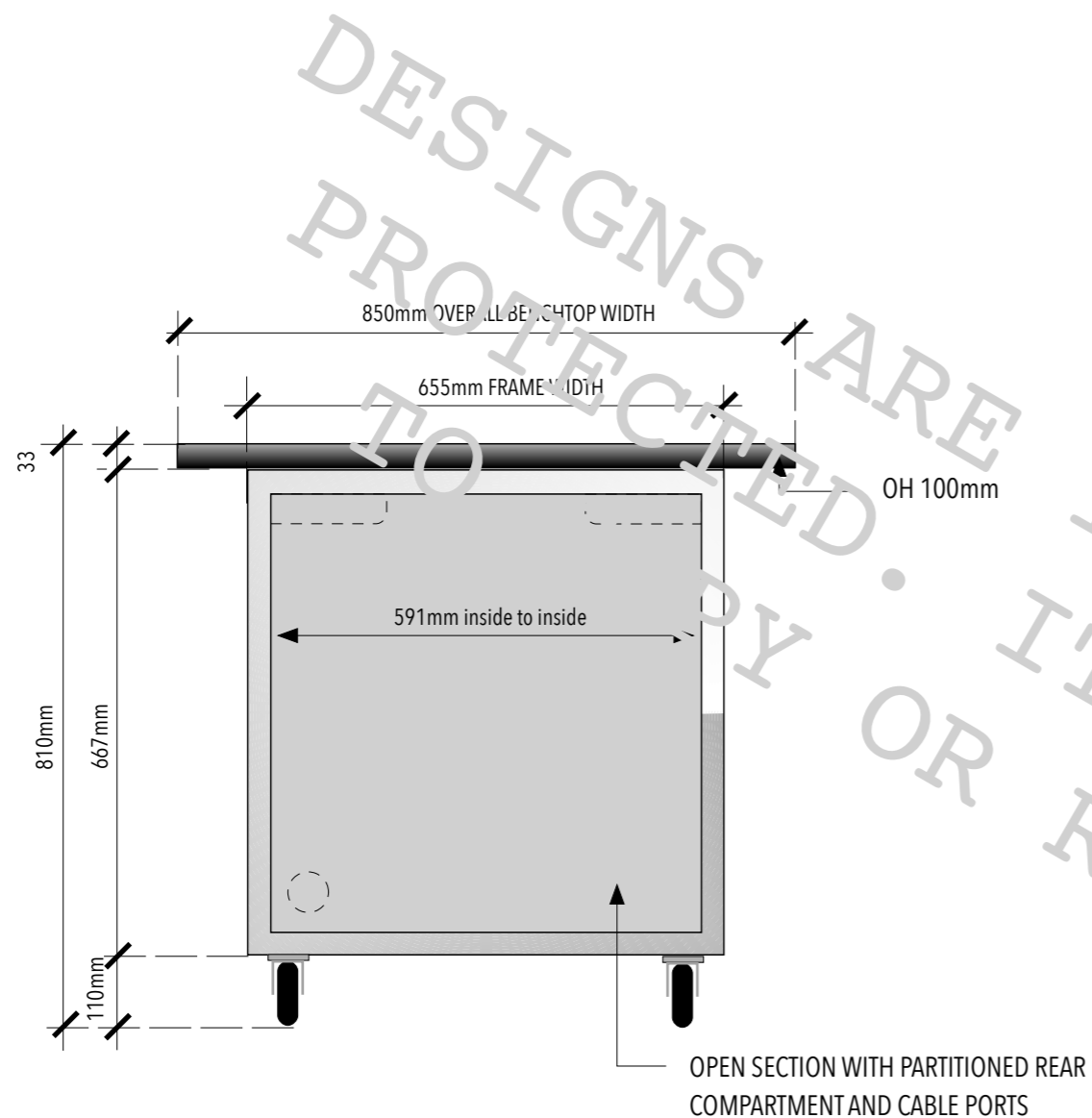
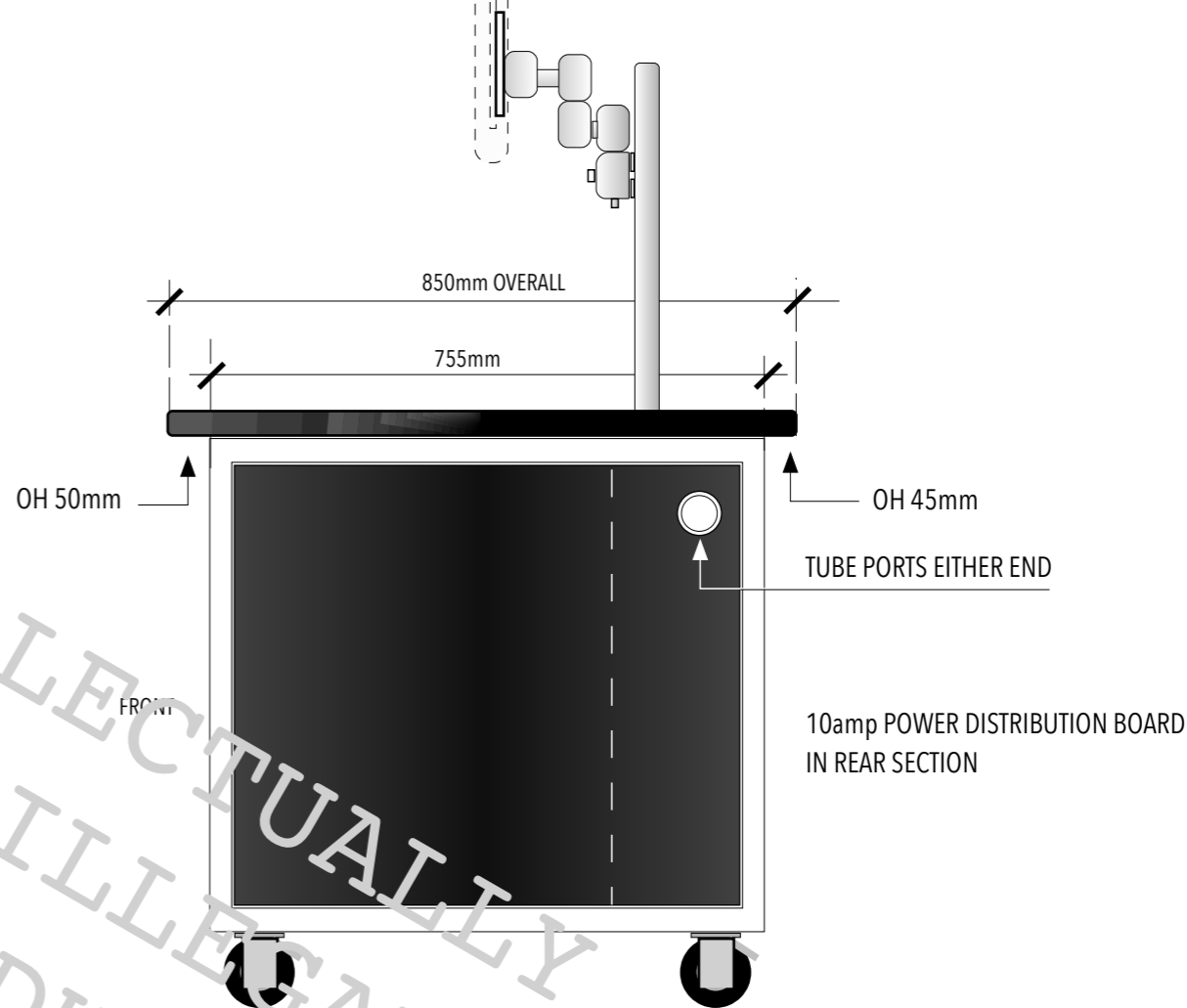


**FRONT VIEW**



**RIGHT SIDE VIEW**

SHOWING OPTIONAL MONITOR MOUNTING



**PRODUCT DETAILS**

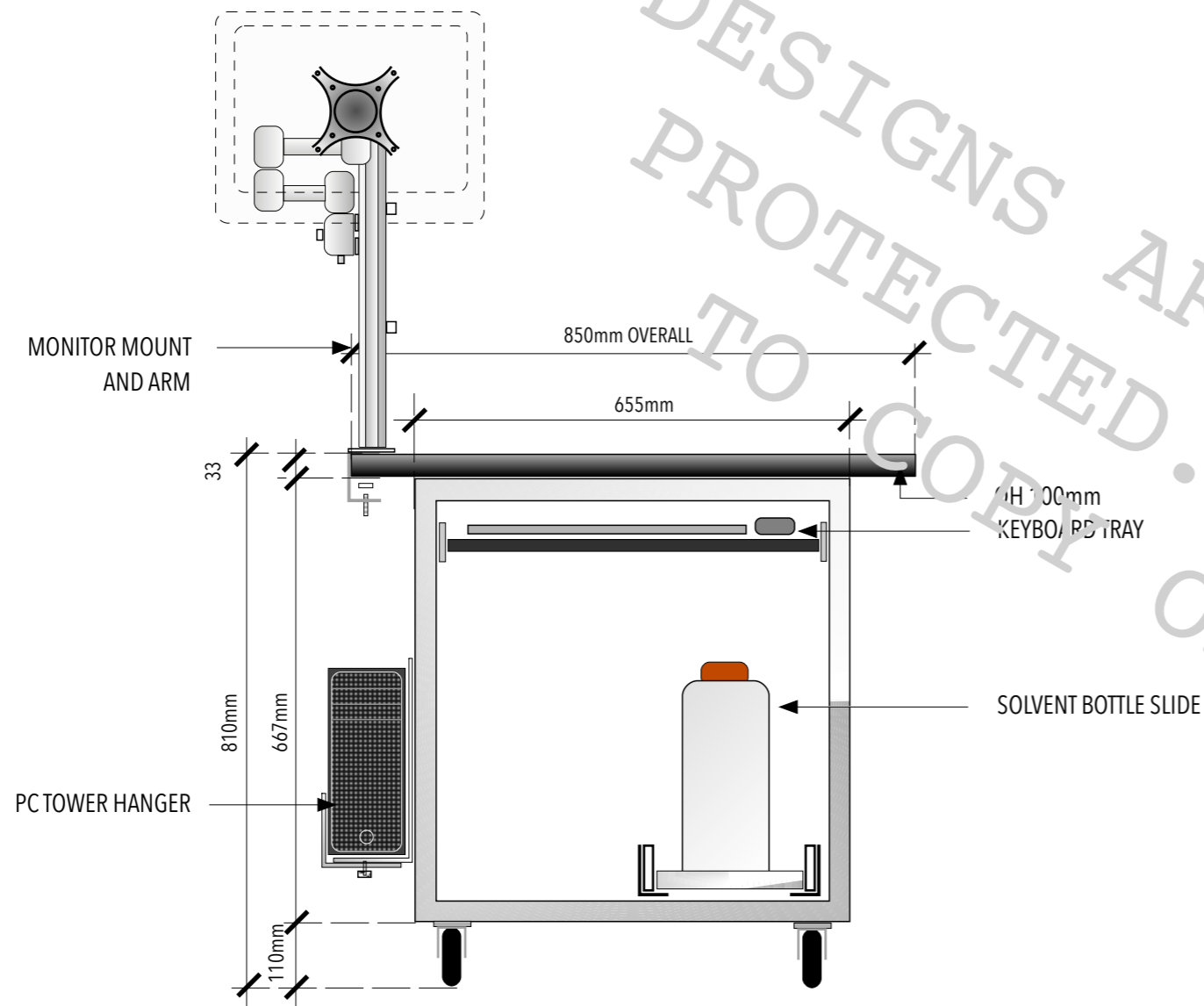
EXTERNAL SIZE: 810mm H x 850mm W x 850mm D  
FRAME SIZE: 667mm H x 655mm W x 755mm D  
LOAD RATED: 200kg SPREAD BENCHTOP LOAD  
CASTORS: SWIVEL ROLLING, BRAKED LOCKING SWIVEL

POWER: 10AMP POWER DISTRIBUTION BOARD WITH 14 x GPO 1 x RCBO AND 3.0m LEAD  
GENERAL UNIT: WELDED AND POLISHED 316 STAINLESS STEEL. MRMDFB BLACK PANELS. HPL MRPB TOP.  
OTHER: ALL PARTS SERVICABLE OR REPLACABLE.

**LAB BENCH AUSTRALIA**

SHEET: SPECIFICATION - PUBLIC RELEASE  
DATE: 2024 - 2025 GEN 2.5  
PRODUCT: LB655LCWS  
TITLE: DILIGENT . PAGE 1 OF 2

**FRONT VIEW**  
SHOWING OPTIONS



**PRODUCT INCLUSIONS**

POWER DIVIDER PANEL AND POWER DISTRIBUTION  
REMOVABLE HIGH PRESSURE LAMINATE SURFACED BENCHTOP  
WELDED AND POLISHED 316 STAINLESS STEEL FRAME

**PRODUCT OPTIONS**

BENCHTOP SIZE: OFF SET AVAILABLE  
PC ANCILLARIES: INTEGRATED KEYBOARD TRAY, PC TOWER HANGER, SINGLE/DUAL MONITOR MOUNT AND ARM/S  
SOLVENT TRAY: STAINLESS STEEL SOLVENT TRAY AND SLIDE

**LAB BENCH AUSTRALIA**

SHEET: SPECIFICATION - PUBLIC RELEASE

DATE: 2024 - 2025 GEN 2.5

PRODUCT: LB655LCWS

TITLE: DILIGENT. PAGE 1 OF 2