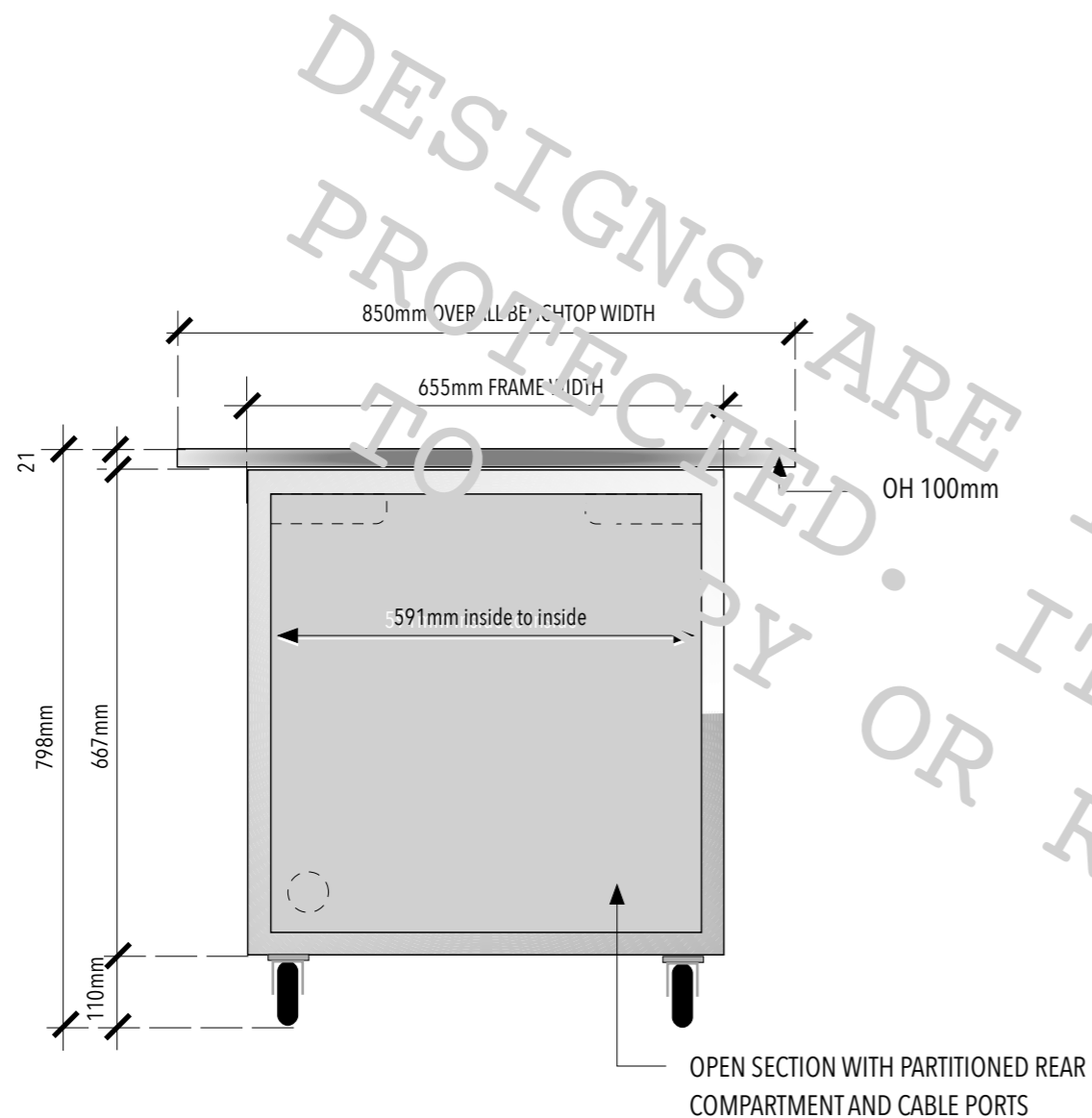
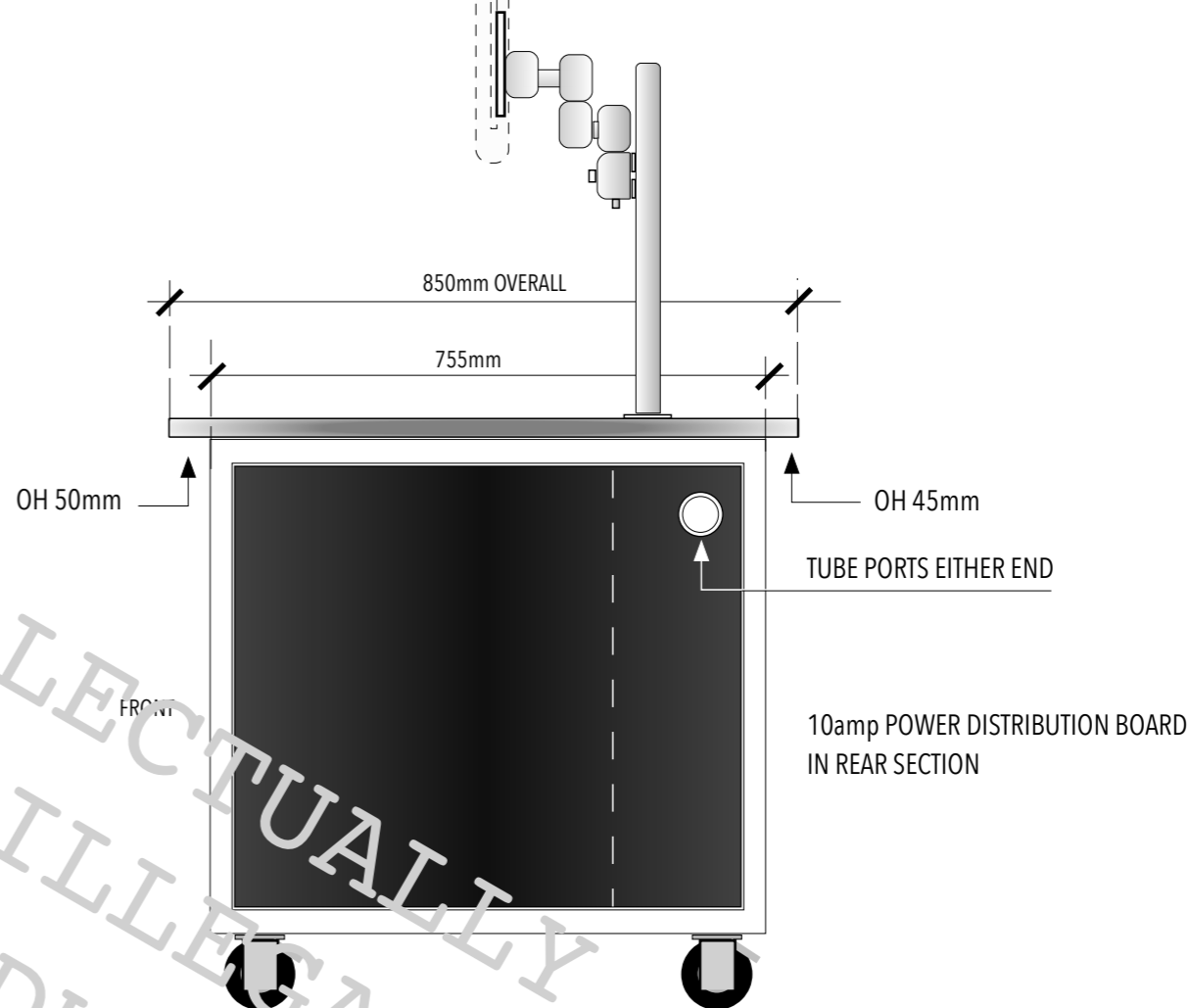


FRONT VIEW



RIGHT SIDE VIEW

SHOWING OPTIONAL MONITOR MOUNTING



PRODUCT DETAILS

EXTERNAL SIZE: 798mm H x 850mm W x 850mm D
FRAME SIZE: 667mm H x 655mm W x 755mm D
LOAD RATED: 200kg SPREAD BENCHTOP LOAD
CASTORS: SWIVEL ROLLING, BRAKED LOCKING SWIVEL

POWER: 10AMP POWER DISTRIBUTION BOARD WITH 14 x GPO 1 x RCBO AND 3.0m LEAD
GENERAL UNIT: WELDED AND POLISHED 316 STAINLESS STEEL. MRMDFB BLACK PANELS. HPL MRPB TOP.
OTHER: ALL PARTS SERVICABLE OR REPLACABLE.

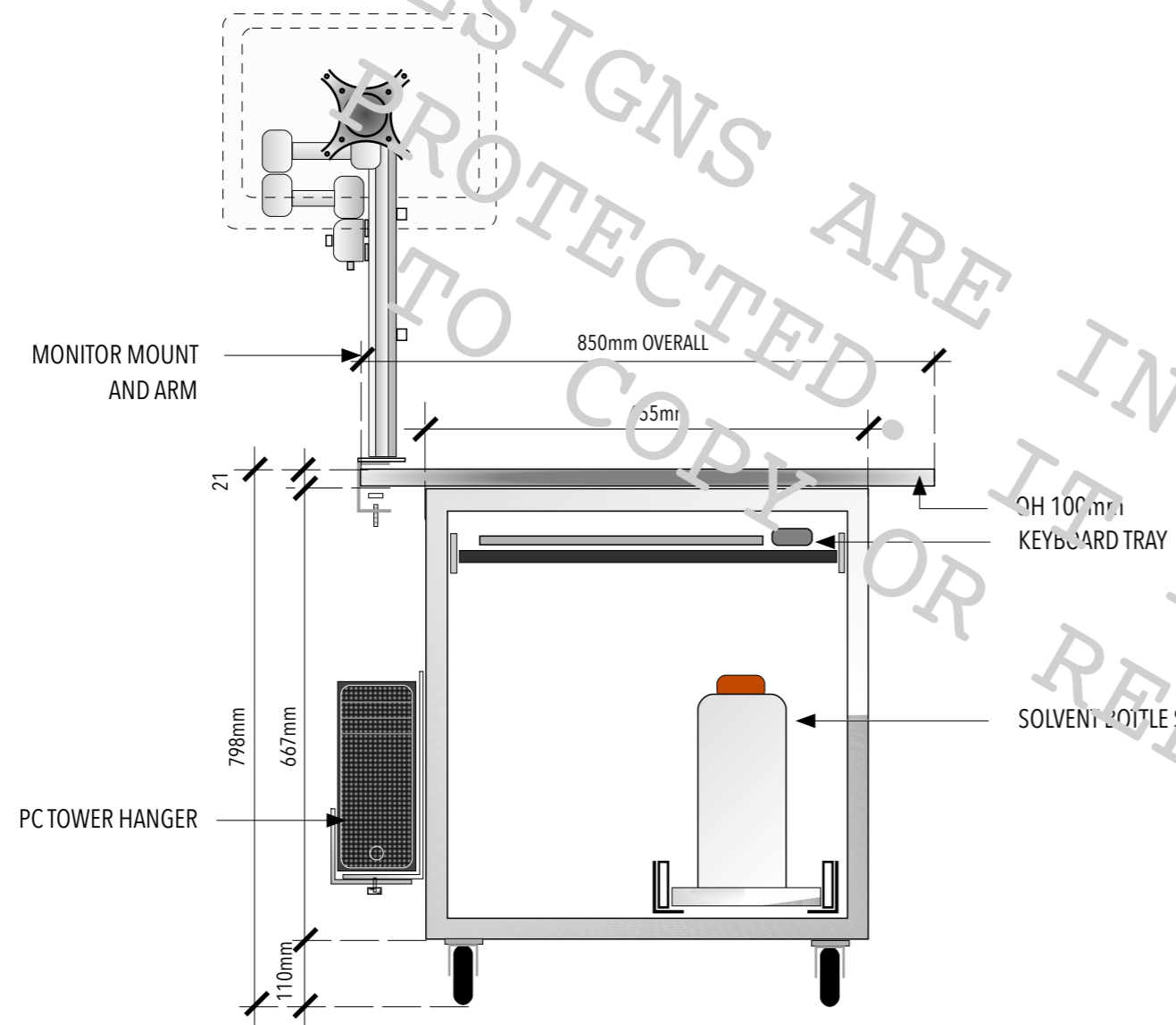
Lab Bench Australia (WE CRE8 Pty Ltd) ACN 168458599 6/10 Shelley Rd Moruya NSW 2537

LAB BENCH AUSTRALIA

SHEET: SPECIFICATION - PUBLIC RELEASE
DATE: 2024 - 2025 GEN 2
PRODUCT: LB655LCWS
TITLE: DILIGENT . PAGE 1 OF 2

FRONT VIEW

SHOWING OPTIONS



PRODUCT INCLUSIONS

POWER DIVIDER PANEL AND POWER DISTRIBUTION
REMOVABLE HIGH PRESSURE LAMINATE SURFACED BENCHTOP
WELDED AND POLISHED 316 STAINLESS STEEL FRAME

PRODUCT OPTIONS

BENCHTOP SIZE: 1450mm W x 900mm D WITH CABLE AND TUBE PORTS
BENCHTOP MATERIAL: 13mm COMPRESSED LAMINATE
PC ANCILLARIES: INTEGRATED KEYBOARD TRAY, PC TOWER HANGER, SINGLE/DUAL MONITOR MOUNT AND ARM/S
SOLVENT TRAY: STAINLESS STEEL SOLVENT TRAY AND SLIDE

Lab Bench Australia (WE CRE8 Pty Ltd) ACN 168458599 6/10 Shelley Rd Moruya NSW 2537

LAB BENCH AUSTRALIA

SHEET: SPECIFICATION - PUBLIC RELEASE

DATE: 2024 - 2025 GEN 2

PRODUCT: LB655LCWS

TITLE: DILIGENT. PAGE 1 OF 2